

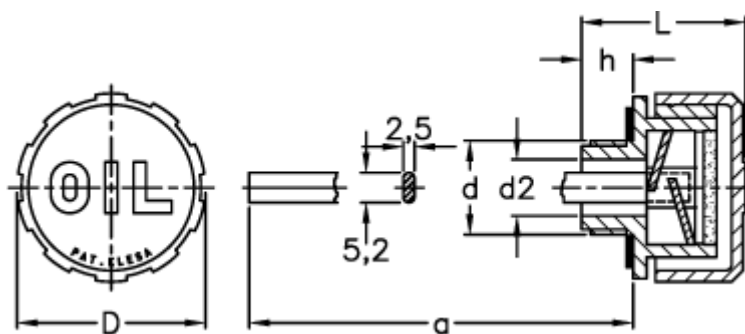
Data Sheet



Article number: 2311054231

Description: E+G Breather plug
SFP.40-3/4+F+a FIL

Measures



- a = 184
- D = 42
- d = G 3/4
- d2 = 18
- h = 11.5
- L = 36.5